



RAMPART

PRODUCTS



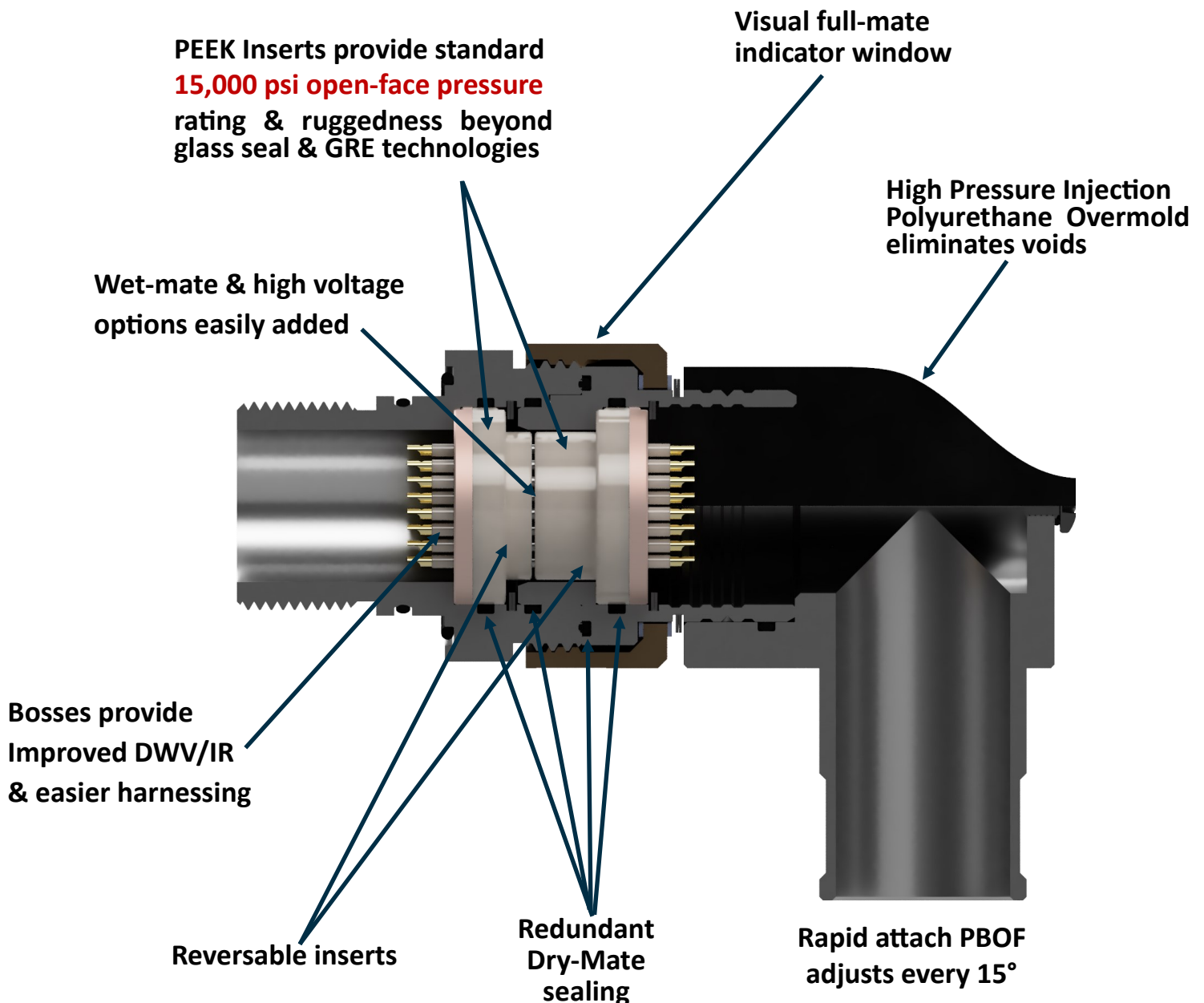
MARINE
MILITARY
OFFSHORE OIL & GAS
ROV

Underwater connectors with standard 15,000 psi open face pressure rating, redundant sealing, super rugged PEEK insulators & delivery faster than the other guys.

Under Water

Dry & Wet mate

Injection Molded PEEK plastic is the most rugged electrical insulator technology available; easily outperforming glass seals or glass reinforced epoxy (GRE). Never again worry about electrical shorts due to cracked glass seals or chipped glass reinforced epoxy insulators!

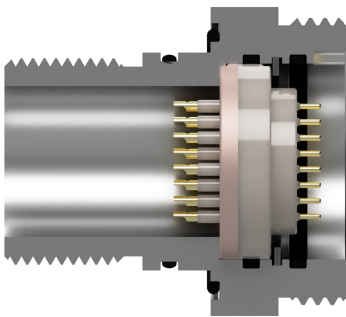


Under Water

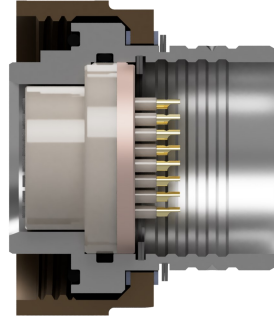
Dry & Wet mate

Rampart under water connectors are available in all common shell types as well as customs. We deliver customs faster than the competition delivers standards!

BCR

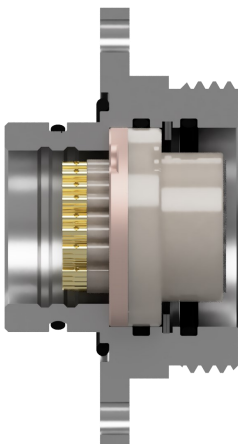


CCP



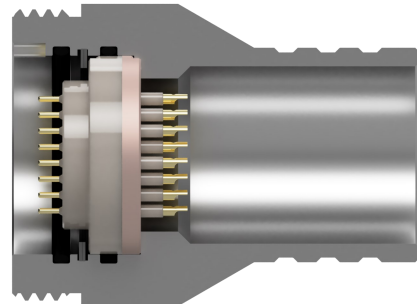
FCR

(Reversed Insert shown)

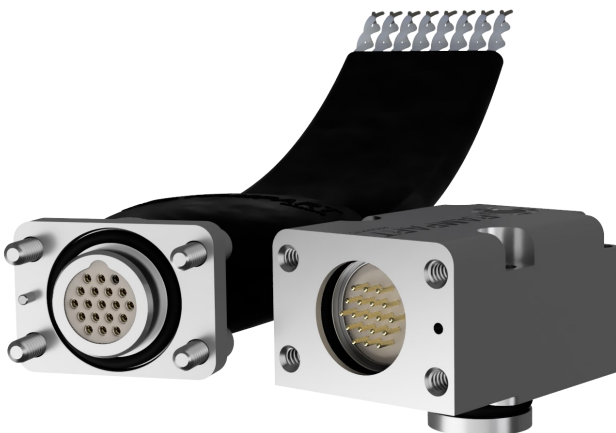


CCR

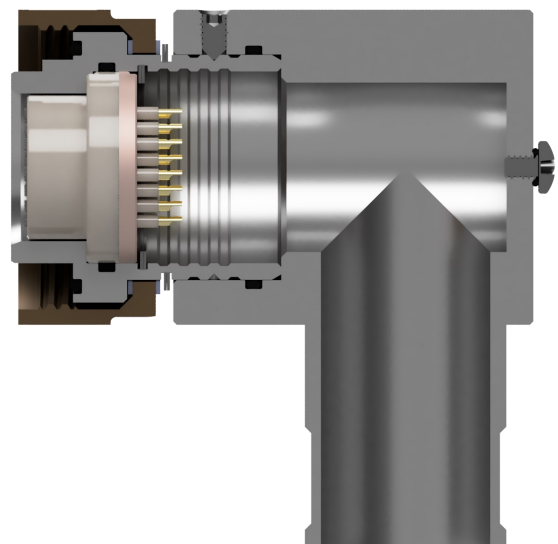
(Reversed Insert shown)



Custom Flat Cable CCP
+ Low Profile 90° FCR



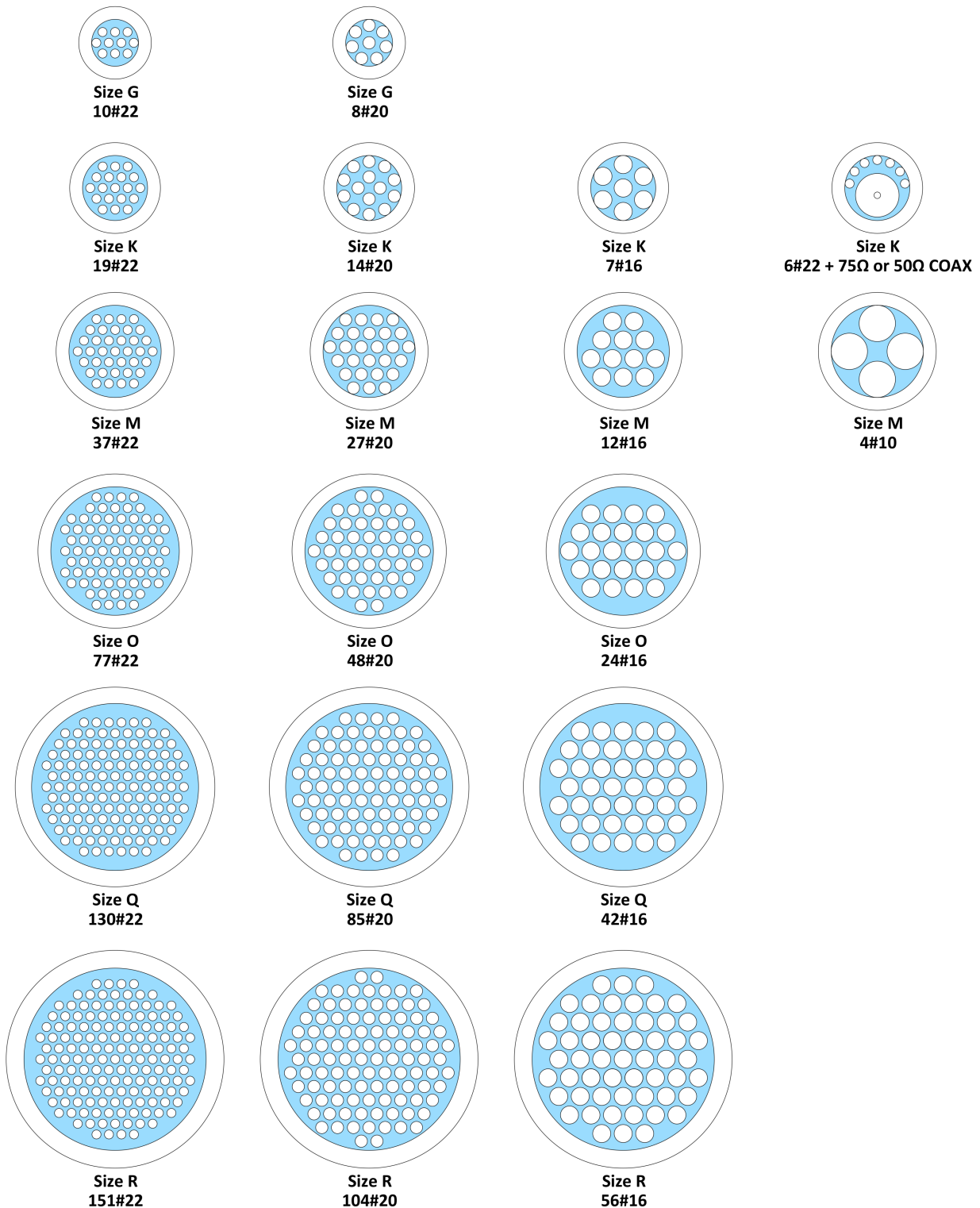
15° Indexable PBOF
(Straight & 90°)



Standard insert configurations are rapidly available and at low cost. Unlimited custom configurations available. As we like to say; "Custom is our standard!"

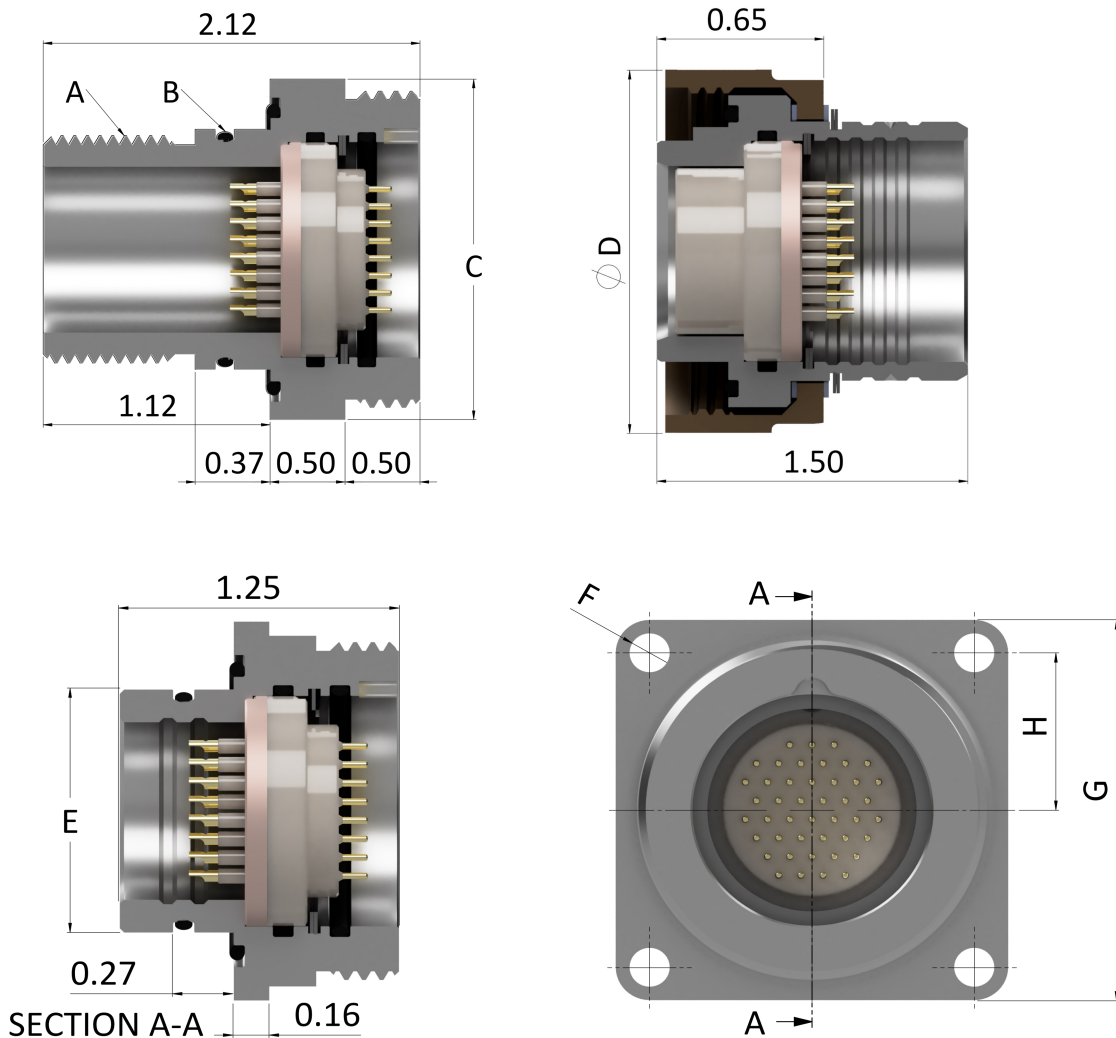
Under Water Dry & Wet mate

CUSTOM CONFIGURATIONS IN OUR SHELLS AVAILABLE IN ONLY 6 WEEKS!



Under Water Dry & Wet mate

Standard shell configurations shown are rapidly available and at low cost. Unlimited custom configurations available. Once again; "Custom is our standard!"



SIZE	"A"	"B"	"C"	"D"	"E"	"F"	"G"	"H"
G	$5/8-24$	0.685	1.06	1.00	0.685	4-40	1.12	0.453
K	$3/4-20$	0.810	1.18	1.12	0.748	6-32	1.25	0.510
M	1-20	1.060	1.43	1.37	0.998	8-32	1.50	0.593
O	$1\ 1/8-16$	1.185	1.68	1.62	1.123	8-32	1.75	0.723
Q	$1\ 3/8-16$	1.435	1.93	1.87	1.373	10-24	2.00	0.831
R	$1\ 1/2-16$	1.623	2.06	2.00	1.498	10-24	2.12	0.884